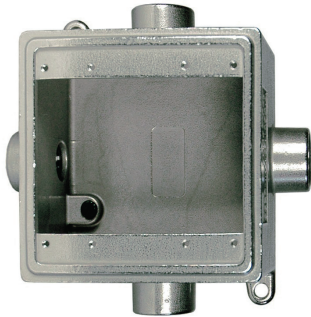
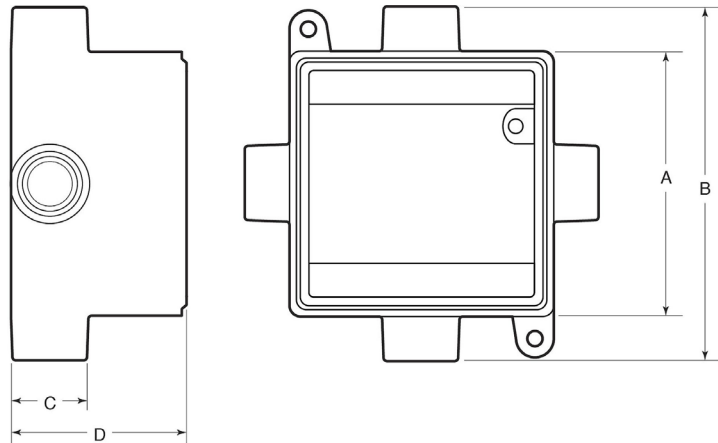
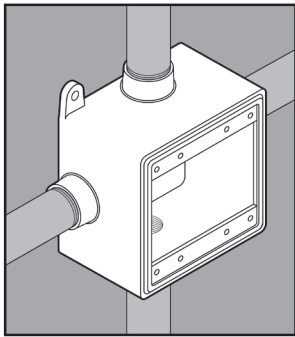


# STAINLESS STEEL DOUBLE-GANG FDDX DEVICE BOXES



## APPLICATION

- Used to wire devices such as switches and receptacles, act as pull boxes, and/or connect conduit
- Offered in "deep" style
- Manufactured in stainless steel to help prevent corrosion
- Can be installed using ordinary hand tools and require little maintenance or repair
- Provided in a bright, polished finish that does not require touch up or painting



## PRODUCT DETAILS

### Material:

- Body: CF8M (316 SS)
- Grounding Screw: 316 SS

### Standards:

ASTM A351, ASTM F593

### Country of Origin:

100% Made in USA

### UL File Number:

QCIT.E300676  
(Standard 514A)

Part Number	Conduit Size	Weight/ Each (lbs.)	Dimension (in.)			
			A	B	C	D
FDDX75	¾ in.	5	4.63	6.19	1.31	3.03

